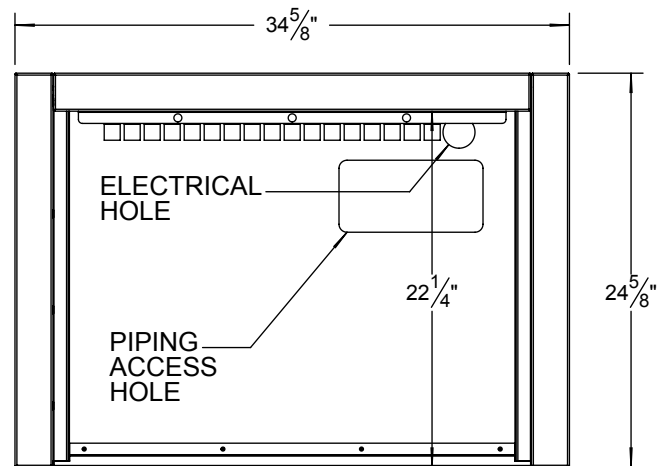
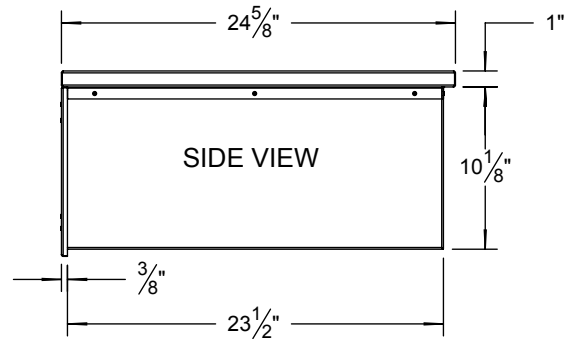
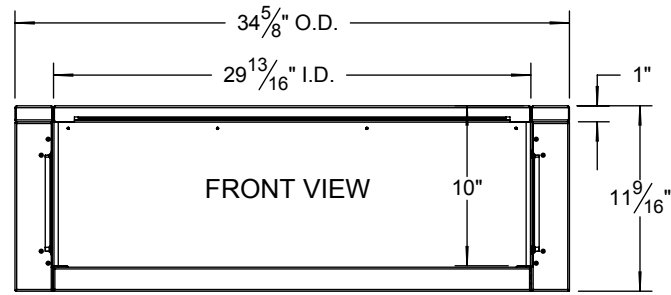
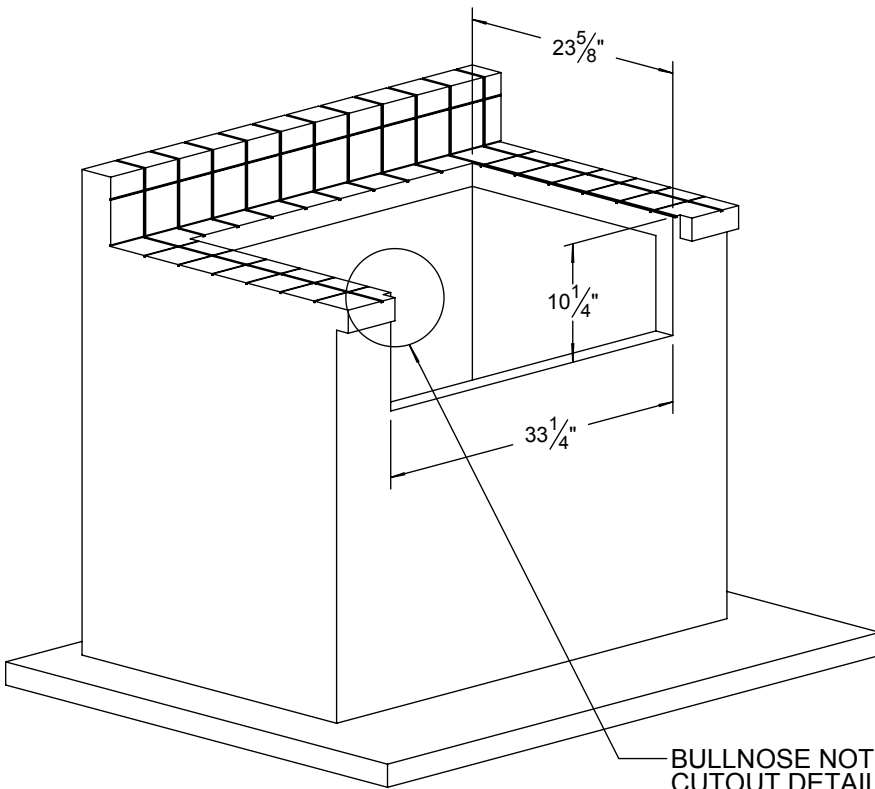


TYPICAL ARTIJ-32 INSTALLATION

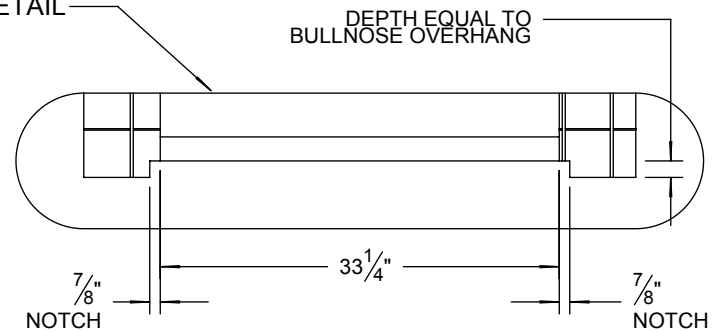


TOP VIEW

COUNTERTOP CUTOUT REQUIREMENTS



BULLNOSE NOTCH CUTOUT DETAIL



NOTE:

COUNTER MUST HAVE THE PROPER GAS SUPPLY AND ELECTRICAL POWER FOR YOUR ARTISAN BBQ MODEL. REFER TO YOUR UNIT'S MANUAL OR SERIAL PLATE INFORMATION.