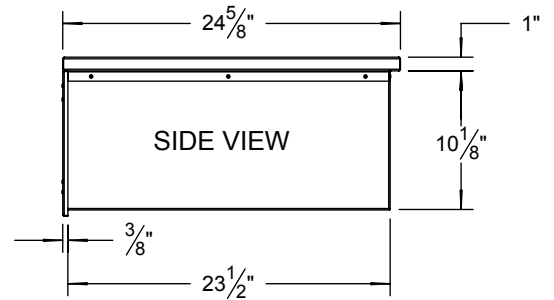
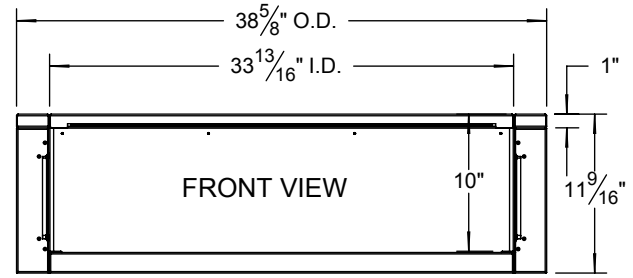
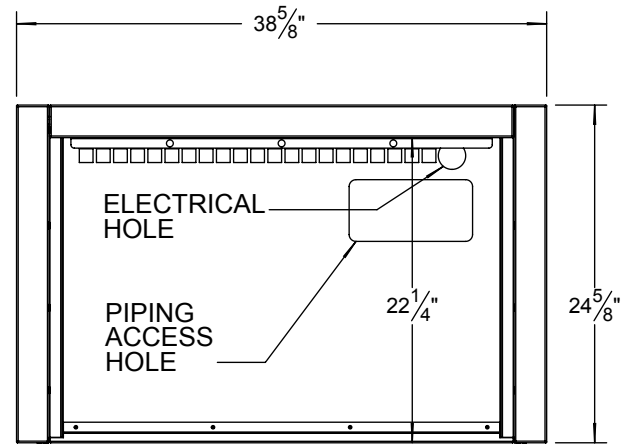
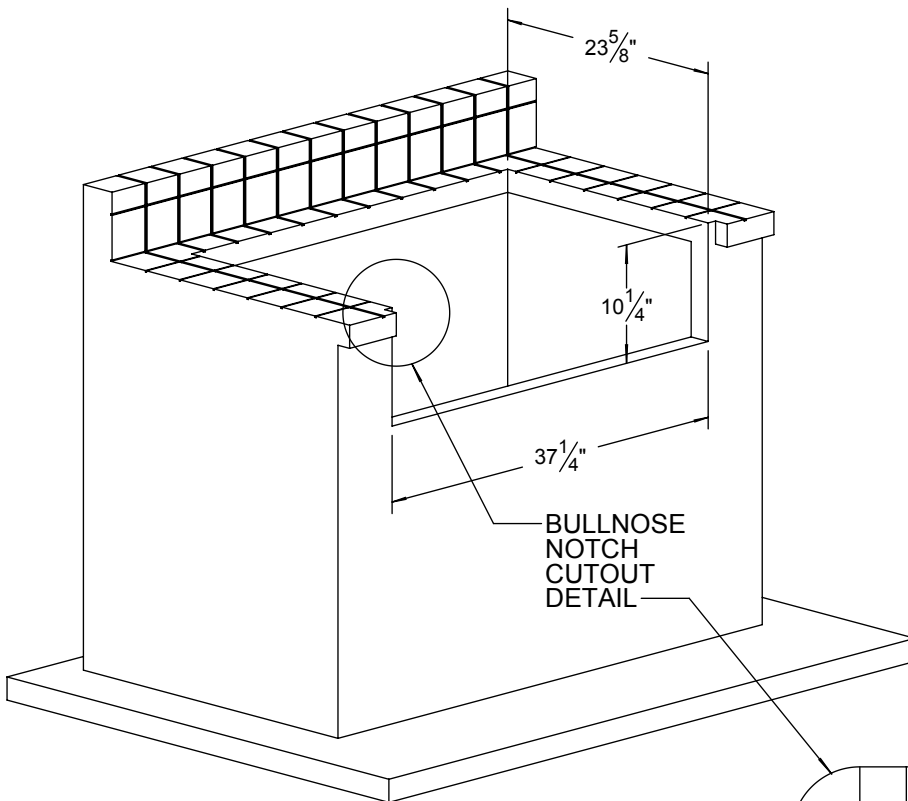


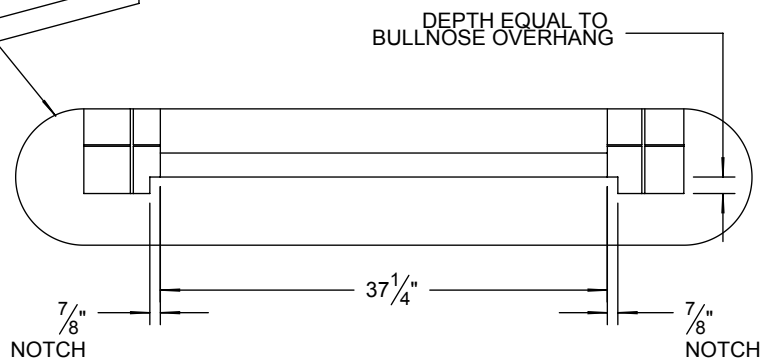
TYPICAL ARTIJ-36 INSTALLATION



COUNTER CUTOUT REQUIREMENTS



TOP VIEW



NOTE:

COUNTER MUST HAVE THE PROPER GAS SUPPLY AND ELECTRICAL POWER FOR YOUR ARTISAN BBQ MODEL. REFER TO YOUR UNIT'S MANUAL OR SERIAL PLATE INFORMATION.