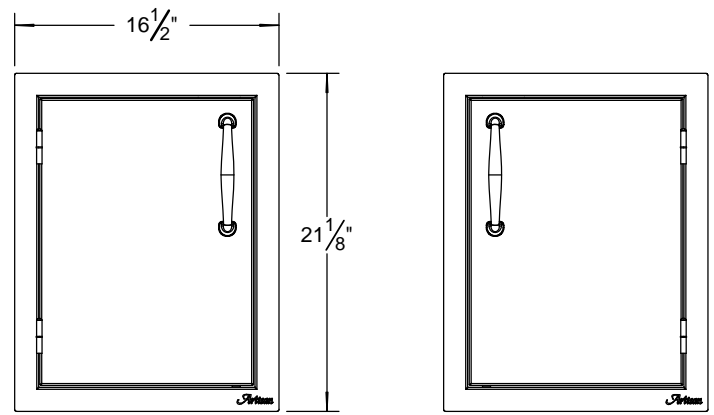


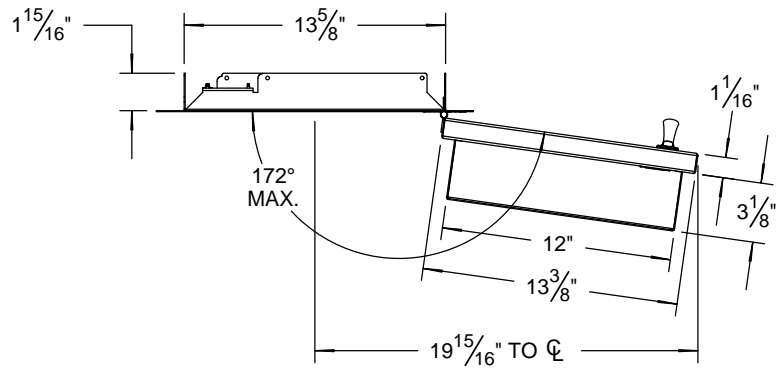
ARTP - ACCESS DOOR TYPICAL INSTALLATION



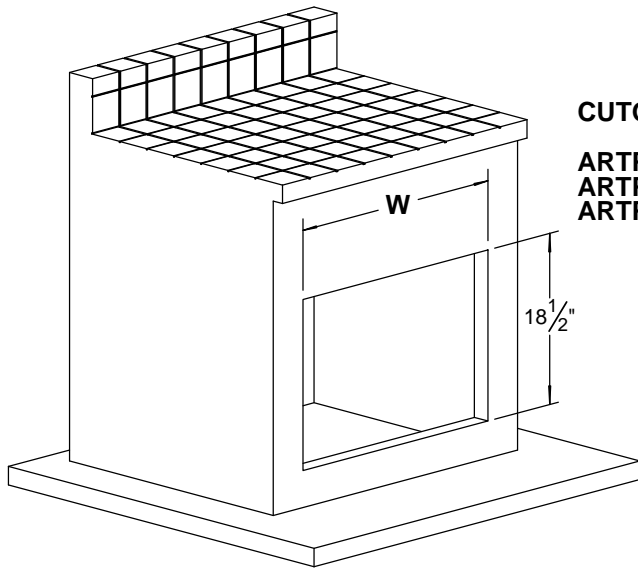
ARTP-SDL

ARTP-SDR

TOP VIEW: DIMENSIONS APPLY TO ARTP-SDL / SDR

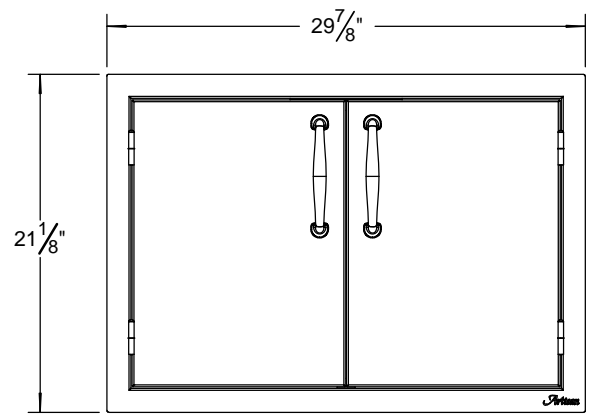


COUNTER FRONT CUTOUT REQUIREMENTS



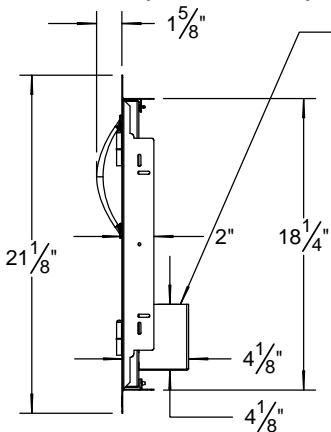
CUTOUT WIDTH (W):

- ARTP-SDL: 13-7/8"**
- ARTP-SDR: 13-7/8"**
- ARTP-DD: 27-1/4"**

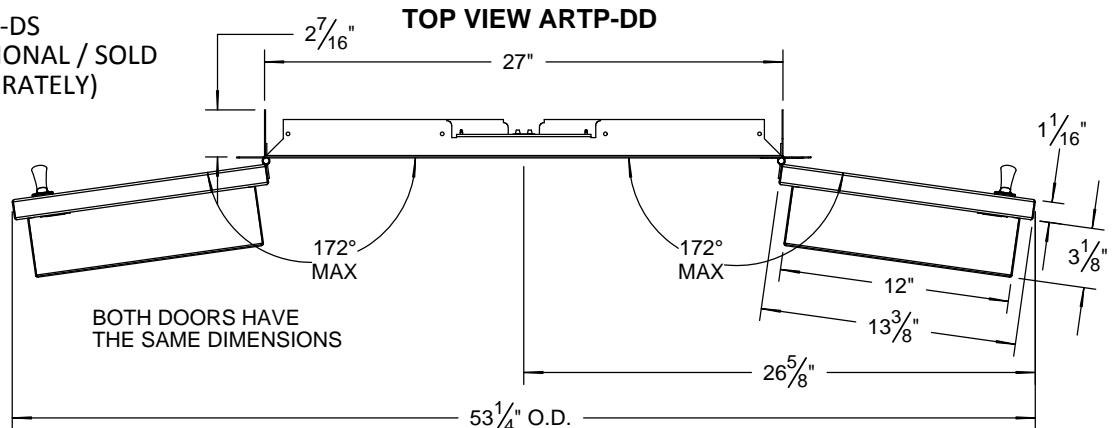


ARTP-DD

PROFILE (ALL DOORS)



**ARTP-DS
(OPTIONAL / SOLD
SEPERATELY)**



**BOTH DOORS HAVE
THE SAME DIMENSIONS**

Artisan

THE INFORMATION CONTAINED IN THIS DRAWING IS THE SOLE PROPERTY OF SUPERIOR EQUIPMENT SOLUTIONS INC. ANY REPRODUCTION IN PART OR AS A WHOLE WITHOUT WRITTEN PERMISSION FROM SUPERIOR EQUIPMENT SOLUTIONS, INC. IS PROHIBITED.

**PROJECT TITLE:
ARTP DOORS**

**DRAWING NO.:
ARTP DOORS**

**DRAWN BY: JORGE PELAYO
CREATED: Friday, March 11, 2016**

**DRAWING TITLE:
ARTP - ACCESS DOOR SPECIFICATIONS**